



**Town of Royalton
(802) -763-7967
Request for Proposal
Handy Memorial Restoration Project**

Contact: Rose Hemond
Date of Issue: April 13, 2018
Deadline: 3:00 P.M., Monday May 7, 2018

INTRODUCTION

The Town of Royalton and the Royalton Historical Society are seeking bids from qualified firms to restore the Handy Memorial on the Green in South Royalton village. Erected in 1915 to honor Hannah Handy who rescued nine boys during the 1780 Royalton Raid, the arched granite memorial rests on a cobblestone base and is approximately 20 feet tall. The monument also recognizes the Revolutionary War British led raid upon the frontier settlement in Royalton.

The monument is tilting and needs to be carefully dismantled and a new reinforced frost free concrete foundation poured. The seven granite components of the monument are to be cleaned in a shop and stored until ready for re-erection on the new foundation. The sections of the monument are to be joined using SCS 9000 silicon sealant manufactured by Momentive Performance Materials as recommend by GE Construction Marketing. The cobblestone base is to be reset around a new granite support using a type "S Mortar" which contains 2 parts Portland cement, 1 part hydrated lime and 9 parts sand.

The restored monument is to look the same as when it was originally constructed.

The selected firm is required to provide a **Certificate of Insurance** for each Contractor working on the project.

- A. Workers Compensation:** With respect to all operations performed, your organization and each of your contractors must carry workers' compensation insurance in accordance with the laws of the State of Vermont.
- B. General Liability and Property Damage:** With respect to all operations performed under the contract, you must carry general liability insurance having all major division of coverage including, but not limited to:

Premises - Operations
Products and Completed Operations
Personal Injury Liability
Contractual Liability

The policy shall be on an occurrence form and limits shall not be less than:

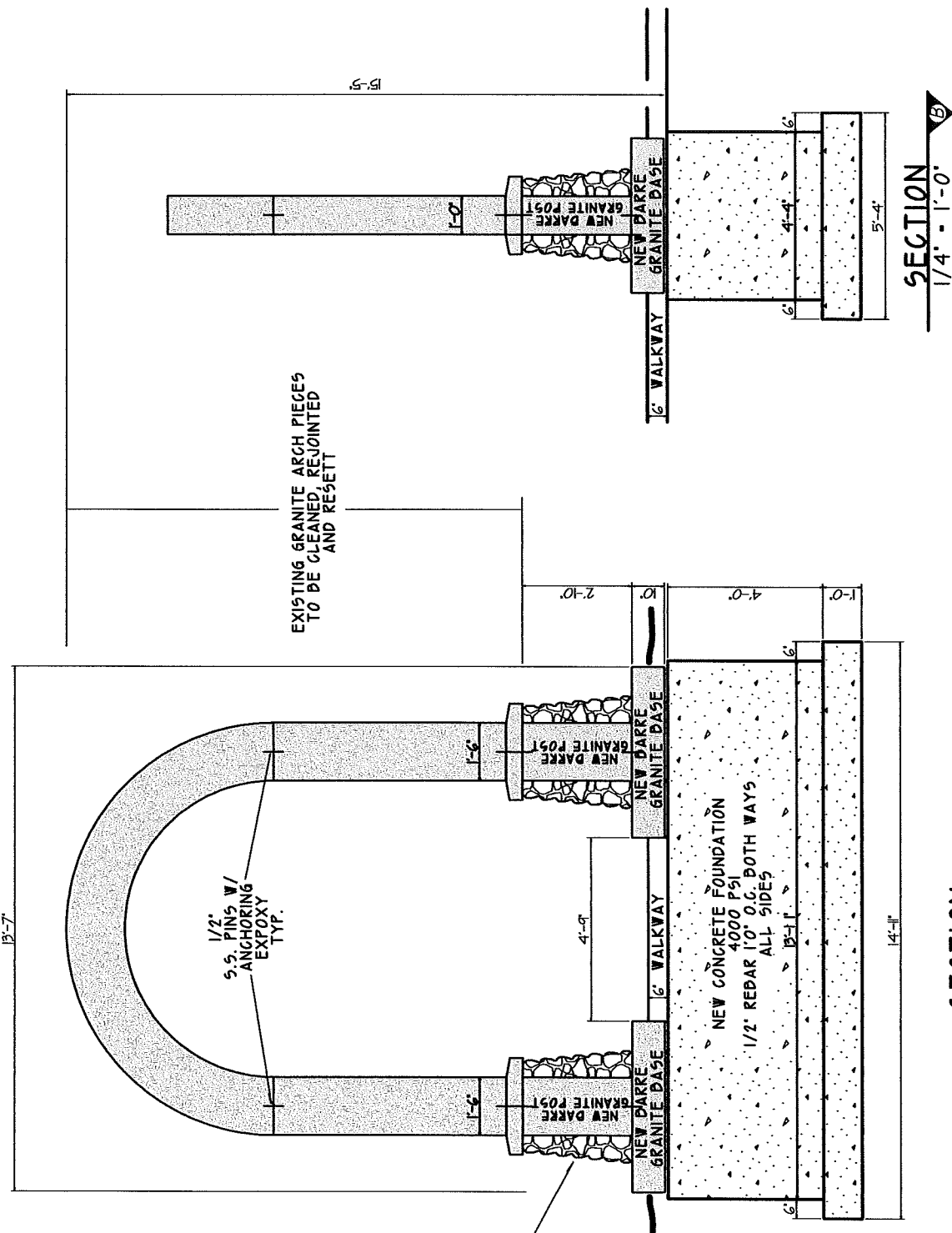
\$1,000,000 Per Occurrence
\$1,000,000 General Aggregate
\$1,000,000 Products/Completed Operations Aggregate
\$50,000 Fire/Legal/Liability

The State of Vermont, The Town of Royalton and its officers and employees shall be included as additional insureds for liability arising out of the Project

- C. Automotive Liability:** Your organization and each of your contractors must carry automotive liability insurance covering all motor vehicles, including hired and non-owned coverage, used in connection with the Project. Limits of coverage shall not be less than: \$1,000,000 combined single limit.

Please advise your insurance agents that the Certificate of Insurance must note that the State of Vermont, the Town of Royalton, and its officers and employees are included as Additional Insured for liability arising out of the Project. The coverage period noted on each Certificate of Insurance must cover the timeframe when the actual work will be undertaken.

All bid proposals are to be submitted to the Town of Royalton, ATTN: Rose Hemond, PO Box 680, South Royalton, Vermont by May 7, 2018. Questions are to be directed to John Dumville (802) 763-8567.

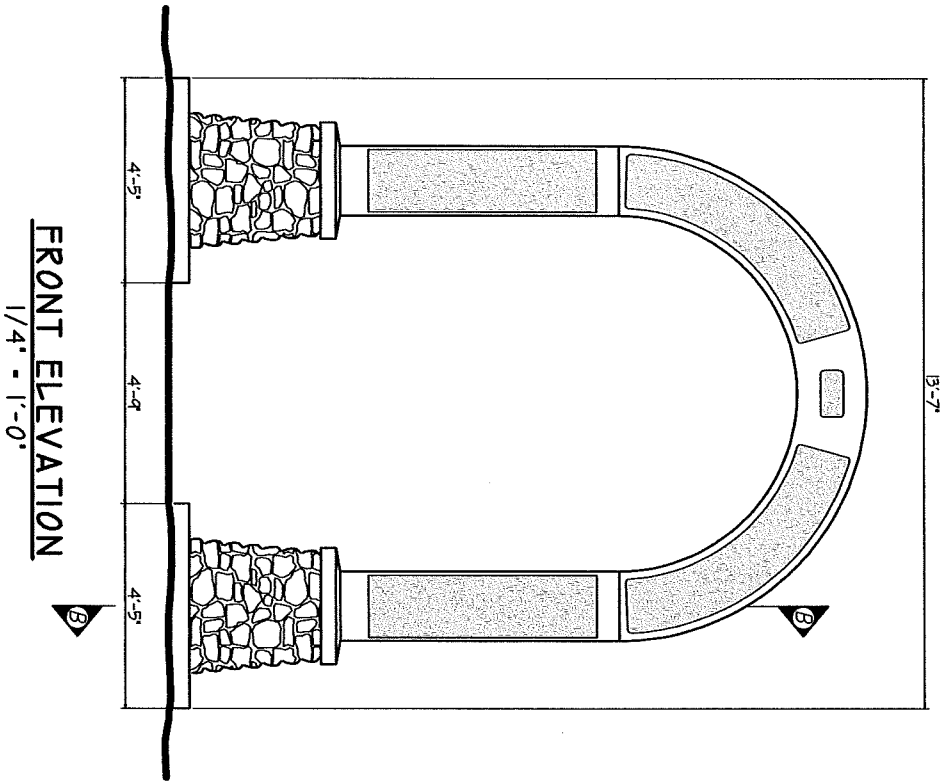


SECTION
1/4" = 1'-0"

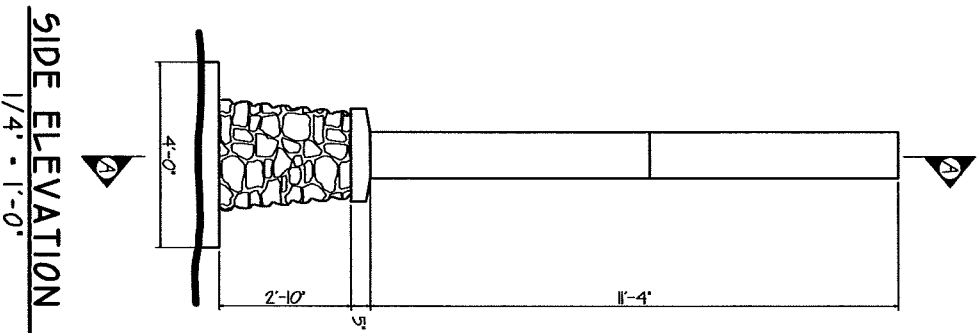
SECTION
1/4" = 1'-0"

HANDY MEMORIAL
 REPAIR/RESTORATION
 SOUTH ROYALTON, VERMONT
GRANITE CORPORATION OF BARRE
 BOX 633; BARRE, VT 05641-0633
 VOICE (802) 476-6177 FAX (802) 476-0570
 WWW.GRANITEINC@AOL.COM 4-1-2017 2 OF 2





FRONT ELEVATION
1/4" = 1'-0"



SIDE ELEVATION
1/4" = 1'-0"

HANDY MEMORIAL
REPAIR/RESTORATION
SOUTH ROYALTON, VERMONT

GRANITE CORPORATION OF BARRE
BOX 633; BARRE, VT 05641-0633
VOICE (802) 476-6177 FAX (802) 476-0570
WWW.GRANITEINC@AOL.COM